

Tech Tip



From your friends at New York Bus Sales

Product Effected –Older Units 2002-2006 with Air Entrance Doors Using cylinder #00046311

Complaint: Air doors slowly and erratically at times

Cause: The flow control valves have rubber seals and “o” rings which after time deteriorate and the small particles of rubber that come from this get caught in the cylinder orifices and exhaust screens causing disrupted air flow.

Correction: First exhaust all air from the system. Figure #1 shows the breakdown of the cylinder, item #2 is the “flow control”. Remove the flow control valve and inspect, removing the needle valve from the center as shown in Figure #2 and inspect the rubber components on both pieces. If they are found to be dry, cracked or torn the valve should be replaced (Figure #3). If there are significant size pieces missing as shown in Figure #2 the cylinder should be removed. The silencer/exhaust items #3 in Figure #1 should be removed and cleaned and the cylinder should have air blown through both exhaust ports and both flow control ports to remove any debris. A slight amount of petroleum jelly used on the rubber seals and “O” rings of the flow control valve will help prolong this issue from occurring in the future. Reassemble and operate door adjusting the flow control valves to properly operate the door.

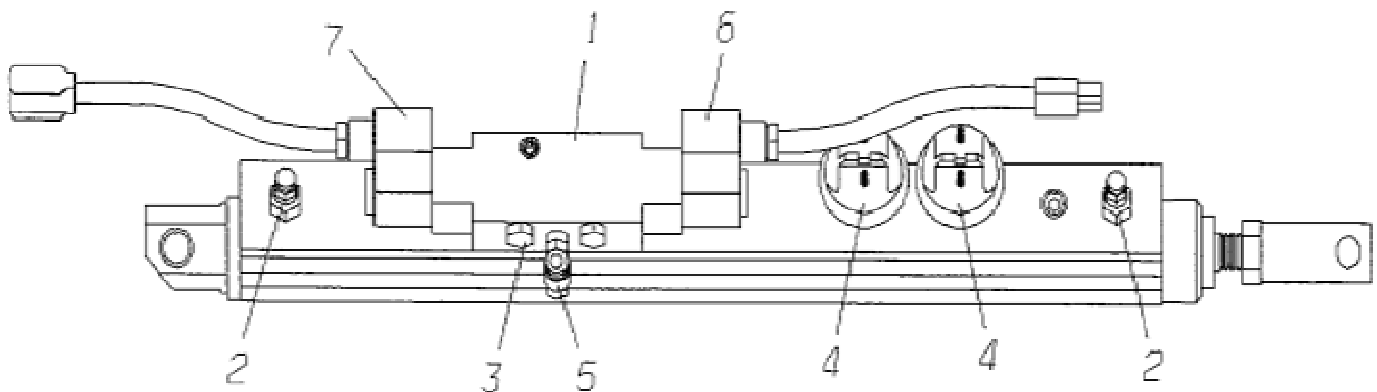


Figure #1

Cylinder Assy #000463

KEY	PART NO	DESCRIPTION
	0046311	CYLINDER ASSY., AIR, 1.5 X 15.28 (INCLUDES KEY #1-7)
1	0054496	VALVE, NAMUR MOUNT
NI	0054497	SCREW, MOUNTING, VALVE
2	0054498	FLOW CONTROLS
3	0041935	SILENCER, EXHAUST, SINTERED BRONZE
4	1940873	SWITCH ASSY., STOPLIGHT PRESSURE
5	0054507	ELBOW FITTING, PRESSURE SUPPLY
6	0054508	COIL/ CONNECTOR, 12 VDC, MALE.....
	0067531	CONNECTOR, PLUG, 3 CIRCUIT, AMP MATE-N-LOCK
7	0054509	COIL/ CONNECTOR, 12 VDC, FEMALE
	0067532	CONNECTOR, CAP, 3 CIRCUIT, AMP MATE-N-LOCK
NI	0073589	KIT, HARDWARE, BOSCH, COIL/ CONN, NUTS & THRUST WASHERS .



Figure #2



Figure #3

*Thanks to Harlan Pudney
From
Dryden Central School
For pointing this out to us!*



Contact Our Service Department With Any Questions

CHITTENANGO – phone 800-962-5768 or
 Daryl Wallace : dwallace@newyorkbussales.com
 Brian Lamaitis : blamaitis@newyorkbussales.com
ROCHESTER – phone 800-463-3232 or
 Gary Chichester: gchichester@newyorkbussales.com
ALBANY – phone 866-867-1100 or
 Ben Reiling: breiling@newyorkbussales.com
 Steve Searles: ssearles@newyorkbussales.com
WARRANTY – 800-962-5768 ext 237
 Morgan Jenkins: mjenkins@newyorkbussales.com

ALL of our Tech Tips can be found on the New York Bus Sales website at
<http://www.newyorkbussales.com/pages/bulletins.cfm>
 Or at the New York Head Mechanic website at
<http://www.nyhma.org/viewforum.php?f=2&start=0>

