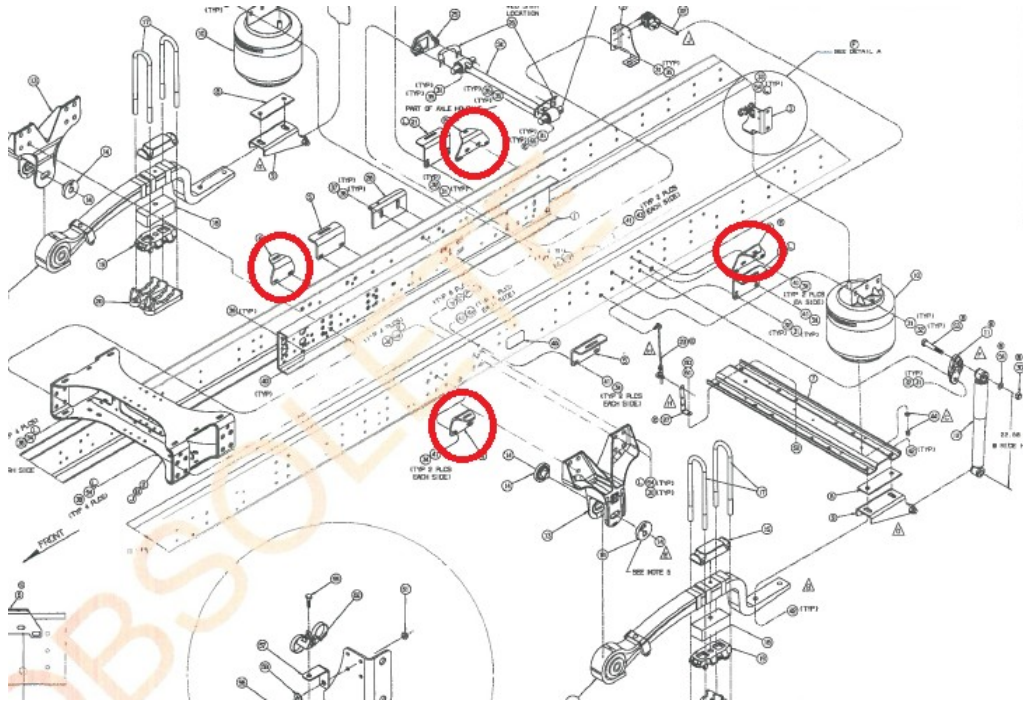


# BODY HOLDDOWNS AT REAR AXLE

## PARTS UPDATE #16-04

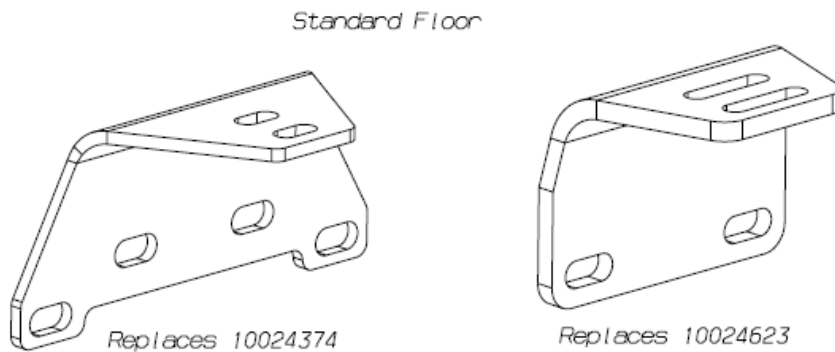
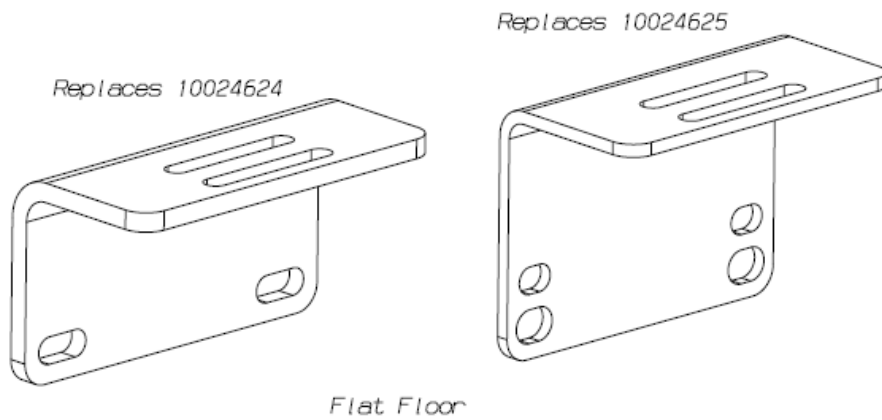


## CHANGE FROM SINGLE TO DOUBLE HOLE MOUNTING TO BODY

Blue Bird is making a change to the body hold-downs located just ahead of and behind the rear axle, as shown in the diagram above. Previously these brackets mounted to the body crossmember with a single bolt. Two (2) bolts will now hold the updated brackets to the body cross members.

Bolts used for mounting the new brackets are 7/16-20 x 1-1/2 grade 5 with a Stover locknut and double washer.

ALL of our Service Updates can be found on the [New York Bus Sales website](#)  
Or at the [New York Head Mechanic website](#)



### STANDARD FLOOR

Single Bolt	Double Bolt
10024623	10044125
10024374	10044126

### FLAT FLOOR

Single Bolt	Double Bolt
10024624	10044136
10024625	10044135

### ATTACHING HARDWARE

BOLT	#00525342
NUT	#01134105
WASHER	#01134097

ALL of our Service Updates can be found on the [New York Bus Sales website](#)  
Or at the [New York Head Mechanic website](#)



## CONTACT OUR PARTS DEPARTMENT WITH ANY QUESTIONS

### Director of Parts

Jim Hogan

[jhogan@newyorkbussales.com](mailto:jhogan@newyorkbussales.com)

607-227-5794

### Chittenango: 800-962-5768

Gari McQuade

[gmcquade@newyorkbussales.com](mailto:gmcquade@newyorkbussales.com)

Bill Cox

[bcox@newyorkbussales.com](mailto:bcox@newyorkbussales.com)

John Lewin

[jlewin@newyorkbussales.com](mailto:jlewin@newyorkbussales.com)

Dave Grant

[dgrant@newyorkbussales.com](mailto:dgrant@newyorkbussales.com)

### Albany: 866-867-1100

Sean Conway

[sconway@newyorkbussales.com](mailto:sconway@newyorkbussales.com)

John Green

[jgreen@newyorkbussales.com](mailto:jgreen@newyorkbussales.com)

### Rochester: 800-463-3232

Dave Cook

[dcook@newyorkbussales.com](mailto:dcook@newyorkbussales.com)

Steve Hibbard

[shibbard@newyorkbussales.com](mailto:shibbard@newyorkbussales.com)

Ryan Krolak

[rkrolak@newyorkbussales.com](mailto:rkrolak@newyorkbussales.com)

ALL of our Service Updates can be found on the [New York Bus Sales website](#)  
Or at the [New York Head Mechanic website](#)

