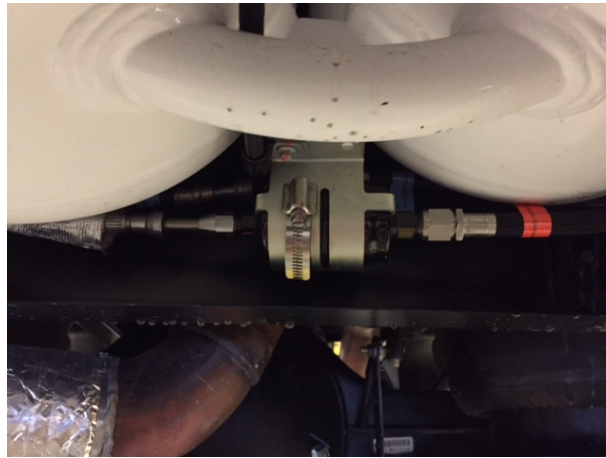




ROUSH GEN IV FUEL FILTER

#17-0126-PP



ROUSH GEN IV SUPPLY LINE FUEL FILTER

With the introduction of the Ford/Roush GEN IV propane system, there are changes which mostly have to do with the internal workings of the fuel system. These changes are not noticeable if you aren't familiar with the system. One thing that has been added is a "supply line" fuel filter which has been added to ensure cleaner fuel to the engine. It is mounted near the front of the tanks as in the photo above. The following page has a diagram and instructions on replacing it. It should be changed every 12 months or 50,000 miles with the "fuel fill" filter.

FUEL FILL FILTER #10023471
SUPPLY LINE FILTER #P10S200-AA

ALL of our Service Updates can be found on the [New York Bus Sales website](#)
Or at the [New York Head Mechanic website](#)

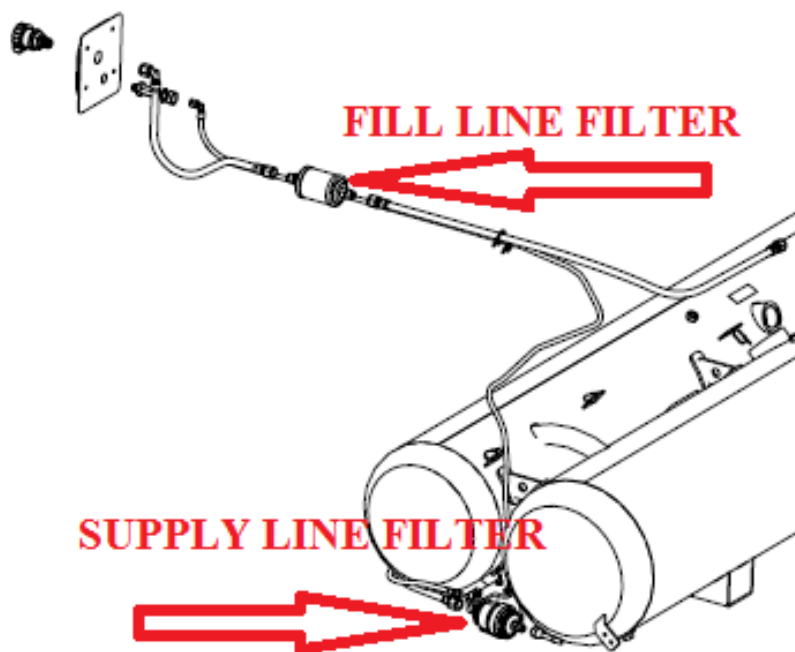


Figure 47 – Fuel Fill Circuit and Bleeder Line

Removal of the In-Line Supply Filter

1. Close the manual shutoff valve on the tank.
2. Disconnect the two fuel pump connectors at the tank access panel.
3. Perform starting procedure and let vehicle run until it stalls.
4. Using two (2) wrenches, slowly loosen the fittings on the in-line supply filter.
5. Remove filter from bracket.

Replacement of the In-Line Supply Filter

1. Install a new filter in the bracket. Note filter orientation.
2. Install the fuel supply lines to the filter.
3. Torque the supply line from the tank to the filter to 53-61 Nm and the supply line from the filter to the FRPCM to 24-32 Nm.
4. Perform the *Fuel System Priming Procedure*.

ALL of our Service Updates can be found on the [New York Bus Sales website](#)
Or at the [New York Head Mechanic website](#)

CONTACT OUR SERVICE OR PARTS DEPARTMENT WITH ANY QUESTIONS

SERVICE

Chittenango: 800-962-5768
Daryl Wallace or Brian Lamaitis

Rochester: 800-463-3232
Dave Schaub

Albany: 866-867-1100
Ben Reiling

Warranty: 800-962-5768
Morgan Jenkins

Customer Service Representatives

Eastern Region:
Gary Bigness
845-500-3707

Central Region:
JJ Richmond
315-559-3999

Western Region:
Mike Panzica
716-908-3186

PARTS

Director of Parts
Jim Hogan
jhogan@newyorkbussales.com
607-227-5794

Chittenango: 800-962-5768
Gari McQuade
gmcquade@newyorkbussales.com
Bill Cox
bcox@newyorkbussales.com
John Lewin
jlewin@newyorkbussales.com
Dave Grant
dgrant@newyorkbussales.com

Albany: 866-867-1100
Sean Conway
sconway@newyorkbussales.com
John Green
jgreen@newyorkbussales.com

Rochester: 800-463-3232
Dave Cook
dcook@newyorkbussales.com
Steve Hibbard
shibbard@newyorkbussales.com

ALL of our Service Updates can be found on the [New York Bus Sales website](#)
Or at the [New York Head Mechanic website](#)

