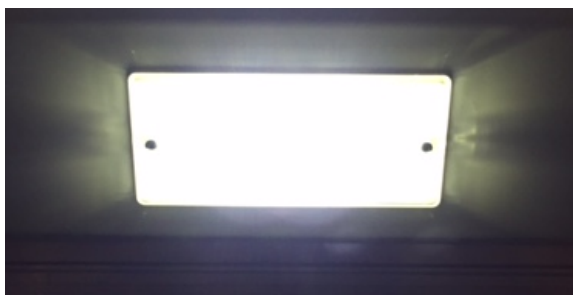




LED Interior Dome Lights

Tech Tip #17-0203



LED Dome Lights “Pop” Out of Wire Molding - #10031415

LED Dome Lights are designed to be held into the plastic “wire molding” along each side of the unit by “clipping” into the plastic with the 4 tabs on the light as shown in Figure #1.

We had heard of issues where the lights would “pop” out of the wire molding. As part of our Pre Delivery Inspection, we would remove one of the screws holding the lens to the light and install a #6 pan head sheet metal screw to hold the light in place as shown in Figure #2.

Recently, we heard that in some instances the light would still “pop” out on the opposite end of where we installed the screw. For better security, we have now moved to installing two screws.

For those units in service that experience this issue, removing the other screw holding the light to the lens and replacing it using a #6 pan head sheet metal screw into the wire molding will resolve the issue.

ALL of our Service Updates can be found on the [New York Bus Sales website](#)
Or at the [New York Head Mechanic website](#)

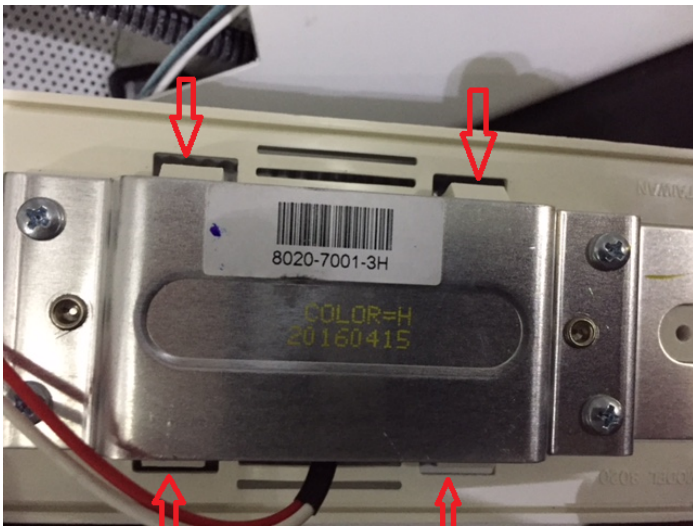


Figure #1



Figure #2

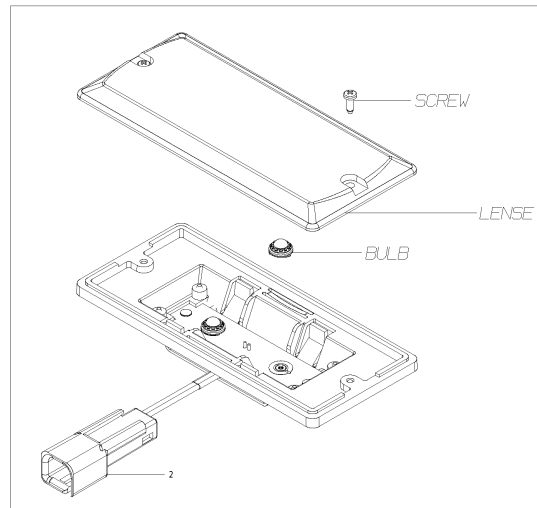


Figure #3

LIGHT PART #10031415

ALL of our Service Updates can be found on the [New York Bus Sales website](#)
Or at the [New York Head Mechanic website](#)



CONTACT OUR SERVICE OR PARTS DEPARTMENT WITH ANY QUESTIONS

SERVICE

Chittenango: 800-962-5768
Daryl Wallace or Brian Lamaitis

Rochester: 800-463-
3232 Dave Schaub

Albany: 866-867-
1100 Ben Reiling

Warranty: 800-962-5768
Morgan Jenkins
**Customer Service
Representatives**

Eastern Region:
Gary Bigness
845-500-3707

Central Region:
JJ Richmond
315-559-3999

Western Region:
Mike Panzica
716-908-3186

PARTS

Director of Parts
Jim Hogan
jhogan@newyorkbussales.com
607-227-5794

Chittenango: 800-962-5768
Gari McQuade
gmcquade@newyorkbussales.com
Bill Cox
bcox@newyorkbussales.com
John Lewin
jlewin@newyorkbussales.com
Dave Grant
dgrant@newyorkbussales.com

Albany: 866-867-1100
Sean Conway
sconway@newyorkbussales.com
John Green
jgreen@newyorkbussales.com

Rochester: 800-463-3232
Dave Cook
dcook@newyorkbussales.com
Steve Hibbard
shibbard@newyorkbussales.com

ALL of our Service Updates can be found on the [New York Bus Sales website](#)
Or at the [New York Head Mechanic website](#)

