



## Microbird T-Series Driver Dome - Option LAC-L

### Tech Tip #17-0311



### Microbird T-Series Driver Dome Light Switch Illumination

**Problem:** The lower half of the LAC-L driver's dome light on the Microbird T-Series is not illuminating red (Figure #1).

**Solution:** New York Bus Sales checked with Microbird and found that the light is tied into the Ford chassis and needs a ground signal to operate the illumination and Microbird uses a power signal to operate their switches. Using a relay (Part #0107718) and installing in the switch circuit, the signal can be changed to a ground signal and the light will operate like the other switches (Figure #2).

ALL of our Service Updates can be found on the [New York Bus Sales website](#)  
Or at the [New York Head Mechanic website](#)

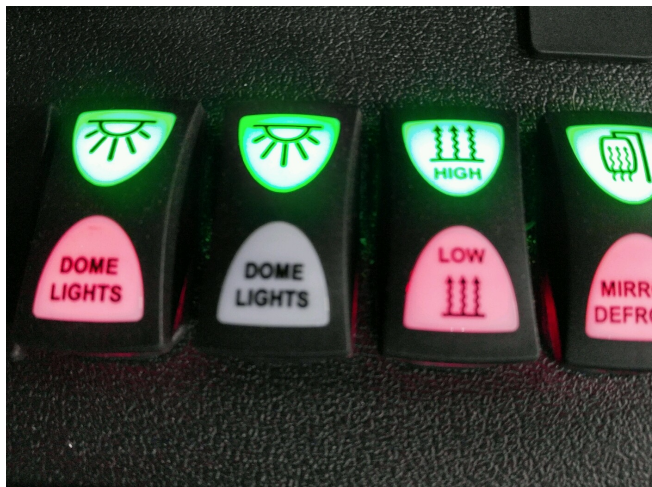


Figure #1

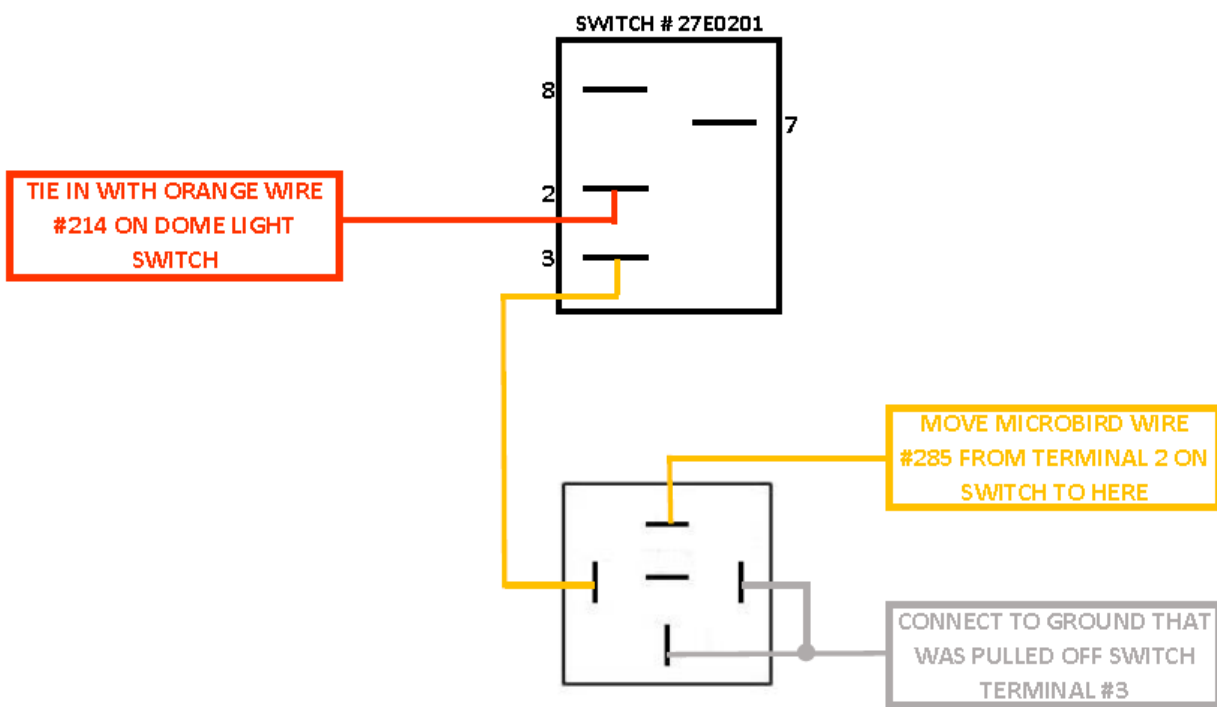


Figure #2

ALL of our Service Updates can be found on the [New York Bus Sales website](#)  
Or at the [New York Head Mechanic website](#)

**THANK YOU TO RON AT CALEDONIA-MUMFORD CENTRAL  
SCHOOL FOR POINTING THIS OUT!!!**

ALL of our Service Updates can be found on the [New York Bus Sales website](#)  
Or at the [New York Head Mechanic website](#)



## CONTACT OUR SERVICE OR PARTS DEPARTMENT WITH ANY QUESTIONS

### SERVICE

**Chittenango:** 800-962-5768  
Daryl Wallace or Brian Lamaitis

**Rochester:** 800-463-3232 Dave Schaub

**Albany:** 866-867-1100 Ben Reiling

**Warranty:** 800-962-5768  
Morgan Jenkins  
**Customer Service Representatives**

**Eastern Region:**  
Gary Bigness  
845-500-3707

**Central Region:**  
JJ Richmond  
315-559-3999

**Western Region:**  
Mike Panzica  
716-908-3186

### PARTS

**Director of Parts**  
Jim Hogan  
jhogan@newyorkbussales.com  
607-227-5794

**Chittenango:** 800-962-5768  
Gari McQuade  
gmcquade@newyorkbussales.com  
Bill Cox  
bcox@newyorkbussales.com  
John Lewin  
jlewin@newyorkbussales.com  
Dave Grant  
dgrant@newyorkbussales.com

**Albany:** 866-867-1100  
Sean Conway  
sconway@newyorkbussales.com  
Pat Murphy  
pmurphy@newyorkbussales.com

**Rochester:** 800-463-3232  
Dave Cook  
dcook@newyorkbussales.com  
Steve Hibbard  
shibbard@newyorkbussales.com

ALL of our Service Updates can be found on the [New York Bus Sales website](#)  
Or at the [New York Head Mechanic website](#)

