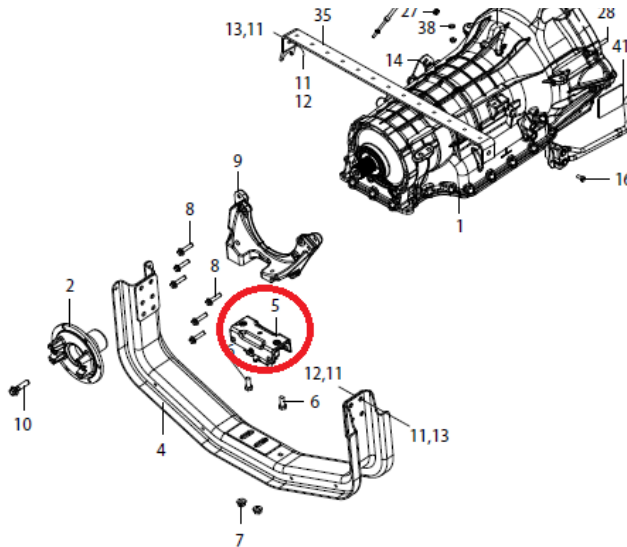


Blue Bird Vision/Ford Transmission Tail Shaft Mount

Tech Tip #17-0706-RP



Transmission Tail Shaft Mount Issue

It's come to our attention that there are units experiencing a "thumping" noise when shifting. The rear mount (BB Part #10043517) for the tail shaft, circled in red on the drawing above and shown in Figure #1, had become worn causing the issue. A simple check can be done using a pry bar, as illustrated in Figure #2. There should be "slight" (About 1/8" to 1/4") of play. What was found on units where the issue occurred was that the cross bolt was rubbing into the metal (Figures #3 & 4). Removing the cross bolt and putting a piece of rubber hose over the shaft of the bolt between the metal will address the issue temporarily until a new mount can be ordered and replaced.

ALL of our Service Updates can be found on the [New York Bus Sales website](#)
Or at the [New York Head Mechanic website](#)

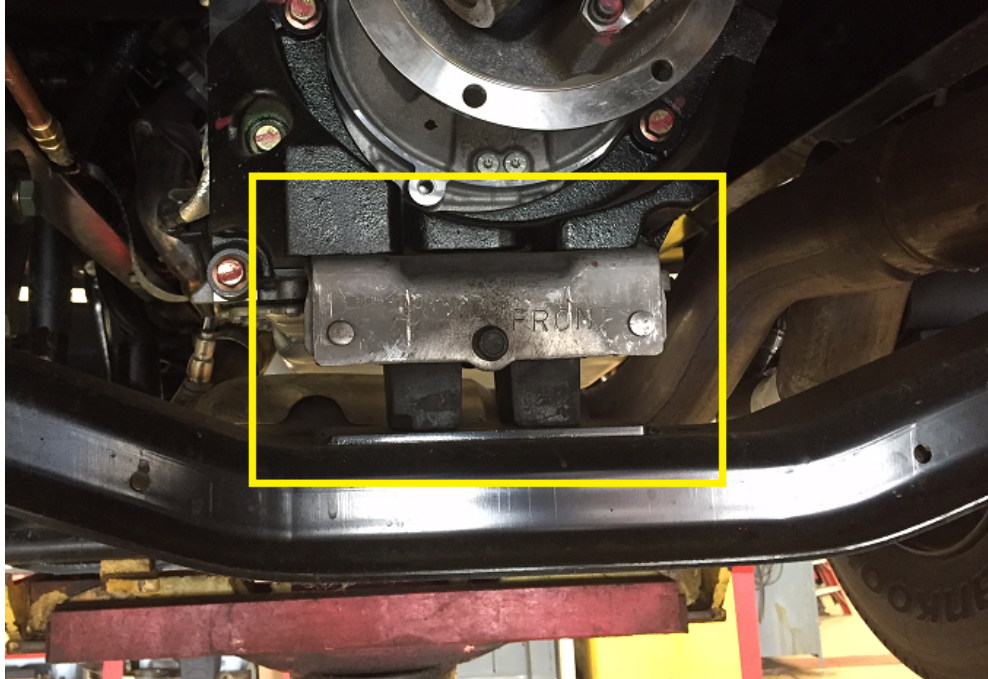


FIGURE #1



FIGURE #2

ALL of our Service Updates can be found on the [New York Bus Sales website](#)
Or at the [New York Head Mechanic website](#)

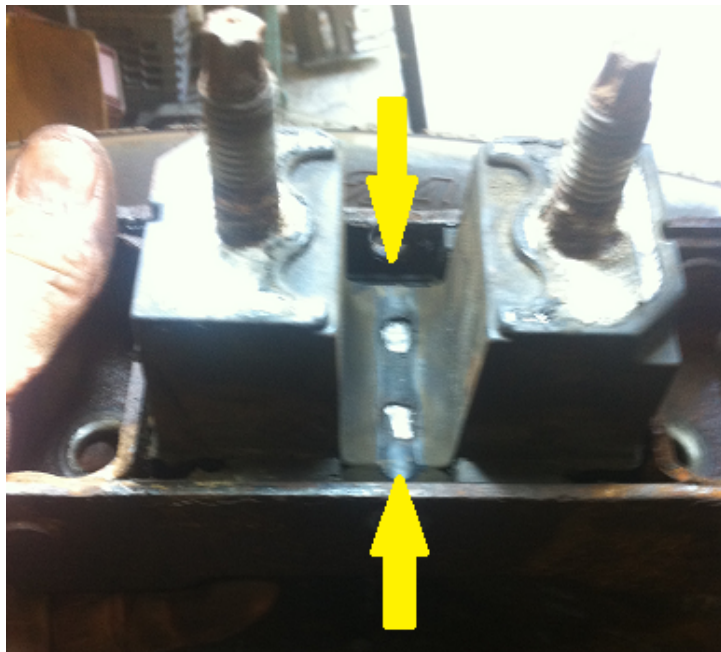


FIGURE #3



FIGURE #4

ALL of our Service Updates can be found on the [New York Bus Sales website](#)
Or at the [New York Head Mechanic website](#)

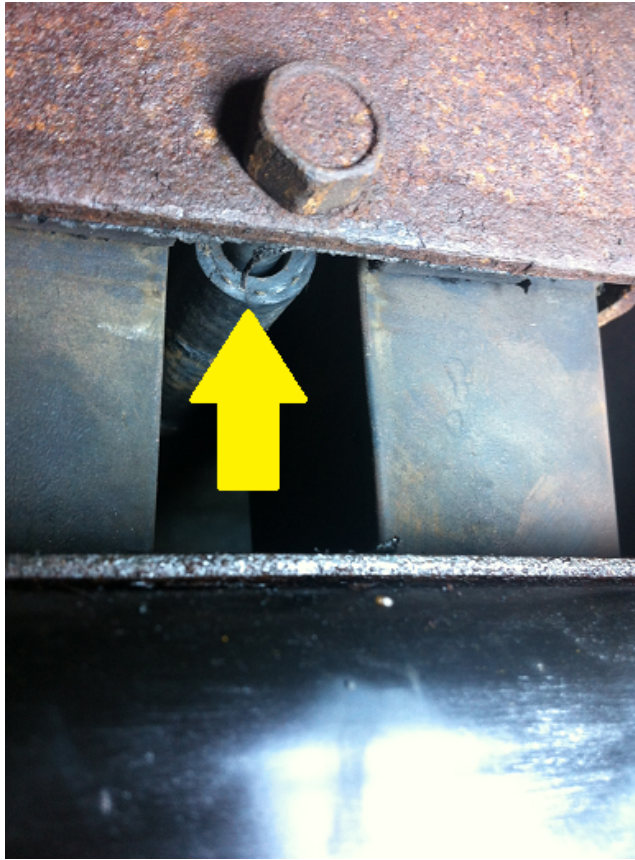


FIGURE #5

**THANK YOU TO RALPH AND THE GUYS AT WASHINGTONVILLE
CENTRAL SCHOOL FOR POINTING THIS OUT!**

ALL of our Service Updates can be found on the [New York Bus Sales website](#)
Or at the [New York Head Mechanic website](#)



CONTACT OUR SERVICE OR PARTS DEPARTMENT WITH ANY QUESTIONS

SERVICE

Chittenango: 800-962-5768
Daryl Wallace or Brian Lamaitis

Rochester: 800-463-3232
Dave Schaub

Albany: 866-867-1100
Ben Reiling

Warranty: 800-962-5768
Morgan Jenkins

**Customer Service
Representatives**

Eastern Region:
Gary Bigness
845-500-3707

Central Region:
JJ Richmond
315-559-3999

Western Region:
Mike Panzica
716-908-3186

PARTS

Director of Parts
Jim Hogan
jhogan@newyorkbussales.com
607-227-5794

Chittenango: 800-962-5768
Gari McQuade
gmcquade@newyorkbussales.com
Bill Cox
bcox@newyorkbussales.com
John Lewin
jlewin@newyorkbussales.com
Dave Grant
dgrant@newyorkbussales.com

Albany: 866-867-1100
Sean Conway
sconway@newyorkbussales.com
Pat Murphy
pmurphy@newyorkbussales.com

Rochester: 800-463-3232
Dave Cook
dcook@newyorkbussales.com
Steve Hibbard
shibbard@newyorkbussales.com

ALL of our Service Updates can be found on the [New York Bus Sales website](#)
Or at the [New York Head Mechanic website](#)

