

BBCV Gasoline/Propane Air Intake Mount

Parts Update #18-1012



Mounting Bushing Update

We have received complaints that the rubber bushing/mount which holds the fresh air intake to the airbox mounting bracket (#6 in Figure #1 and shown in Figure #2 & #3) has broken and the air intake tube is “rattling” against the radiator shroud.

What we have found is that the bolt ends which are vulcanized to the rubber may break free from the rubber (Figures #4 & #5).

Researching we found a rubber bushing which can be used and holds the brackets together more robustly with an actual bolt (Figures #6 & #7).

The rubber bushing can be purchased through our Parts Department and when used with a ¼”X1-3/4” bolt, ¼” elastic lock nut and 2 ¼” flat washers will hold the brackets more firmly in place.

PLEASE NOTE: Seeing these are plastic brackets and tend to move, it is recommended when installing to tighten to a torque of 30 ft/lbs.

ALL of our Service Updates can be found on the [New York Bus Sales website](#)
Or at the [New York Head Mechanic website](#)

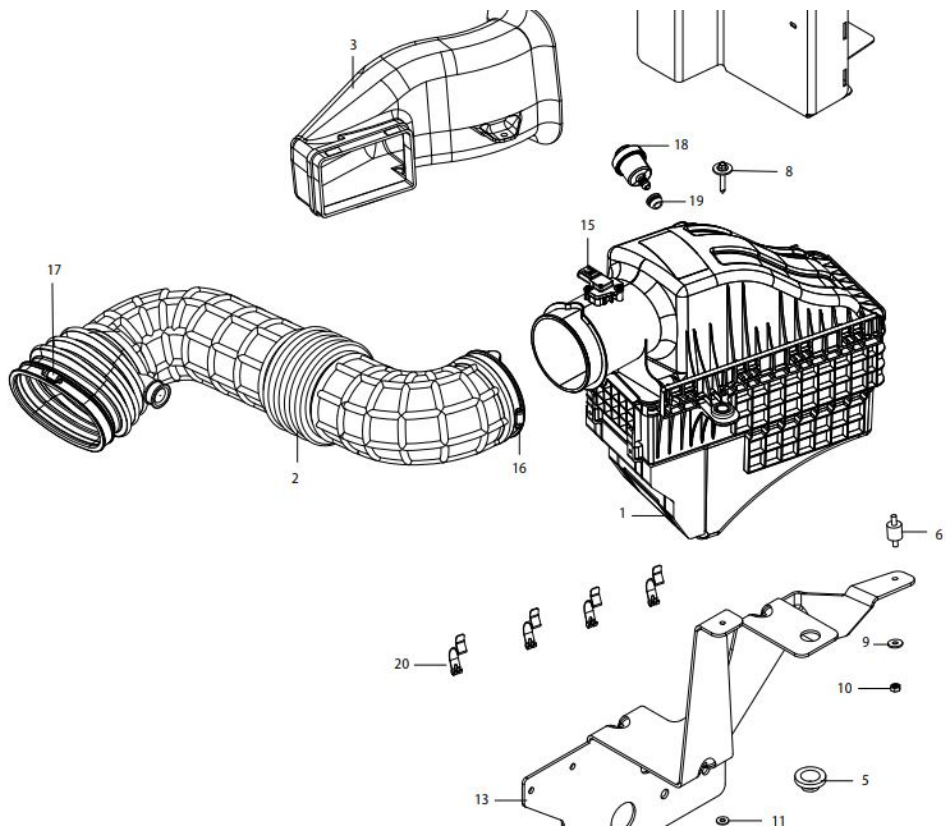


Figure #1



Figure #2

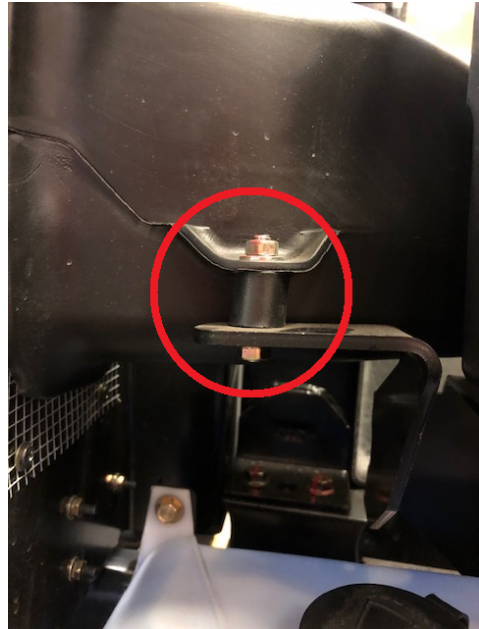


Figure #3

ALL of our Service Updates can be found on the [New York Bus Sales website](#)
Or at the [New York Head Mechanic website](#)





Figure #4



Figure #5



Figure #6

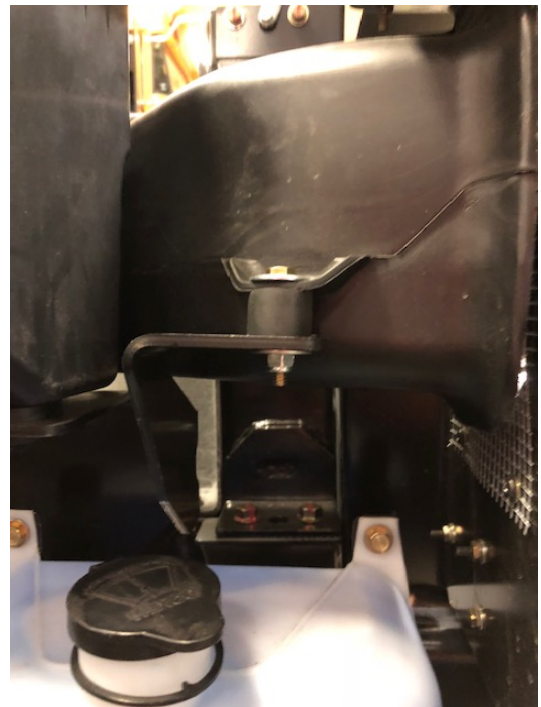
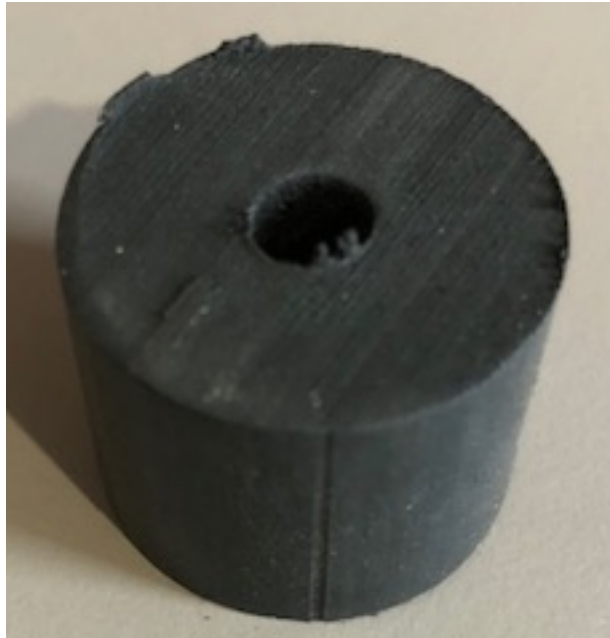


Figure #7

ALL of our Service Updates can be found on the [New York Bus Sales website](#)
Or at the [New York Head Mechanic website](#)

Original Part # 10019622 – Rubber Stud Mount

New York Bus Sales # 31938046 – Rubber Bushing



ALL of our Service Updates can be found on the [New York Bus Sales website](#)
Or at the [New York Head Mechanic website](#)



CONTACT OUR PARTS DEPARTMENT WITH ANY QUESTIONS

Director of Parts

Jim Hogan

jhogan@newyorkbussales.com

607-227-5794

Chittenango: 800-962-5768

Gari McQuade

gmcquade@newyorkbussales.com

Bill Cox

bcox@newyorkbussales.com

John Lewin

jlewin@newyorkbussales.com

Dave Grant

dgrant@newyorkbussales.com

Albany: 866-867-1100

Sean Conway

sconway@newyorkbussales.com

Pat Murphy

pmurphy@newyorkbussales.com

Rochester: 800-463-3232

Tim Gross

tgross@newyorkbussales.com

Steve Hibbard

shibbard@newyorkbussales.com

ALL of our Service Updates can be found on the [New York Bus Sales website](#)
Or at the [New York Head Mechanic website](#)

