



# Intermittent Horn Operation

## Service Update #25-0501



### Intermittent Horn Operation/Grinding in Steering Column When Turning

We have had issues where units have experienced intermittent horn either not working or working when turning the wheel and the button is not pushed.

We have also seen where when turning the steering wheel there is a grinding sound in the column.

We have found that when the steering wheel is removed (FIGURE #1) the horn ring/contact is either dry or not properly lubricated. Replacing the horn ring and contact (FIGURES #2 & #3) addresses the issue when the entire tube of grease in FIGURE #2 is used to coat the horn ring.

ALL of our Service Updates can be found on the [New York Bus Sales website](#)  
Or at the [New York Head Mechanic website](#)

Currently as part of our Pre-Delivery-Inspection we are checking to make sure the horn ring is properly coated. FIGURE #4

In doing so we found that checking to ensure the ring was properly lubricated could be done without removing the steering wheel and just removing the plastic covers over the upper steering column and the dielectric grease could be applied as well.

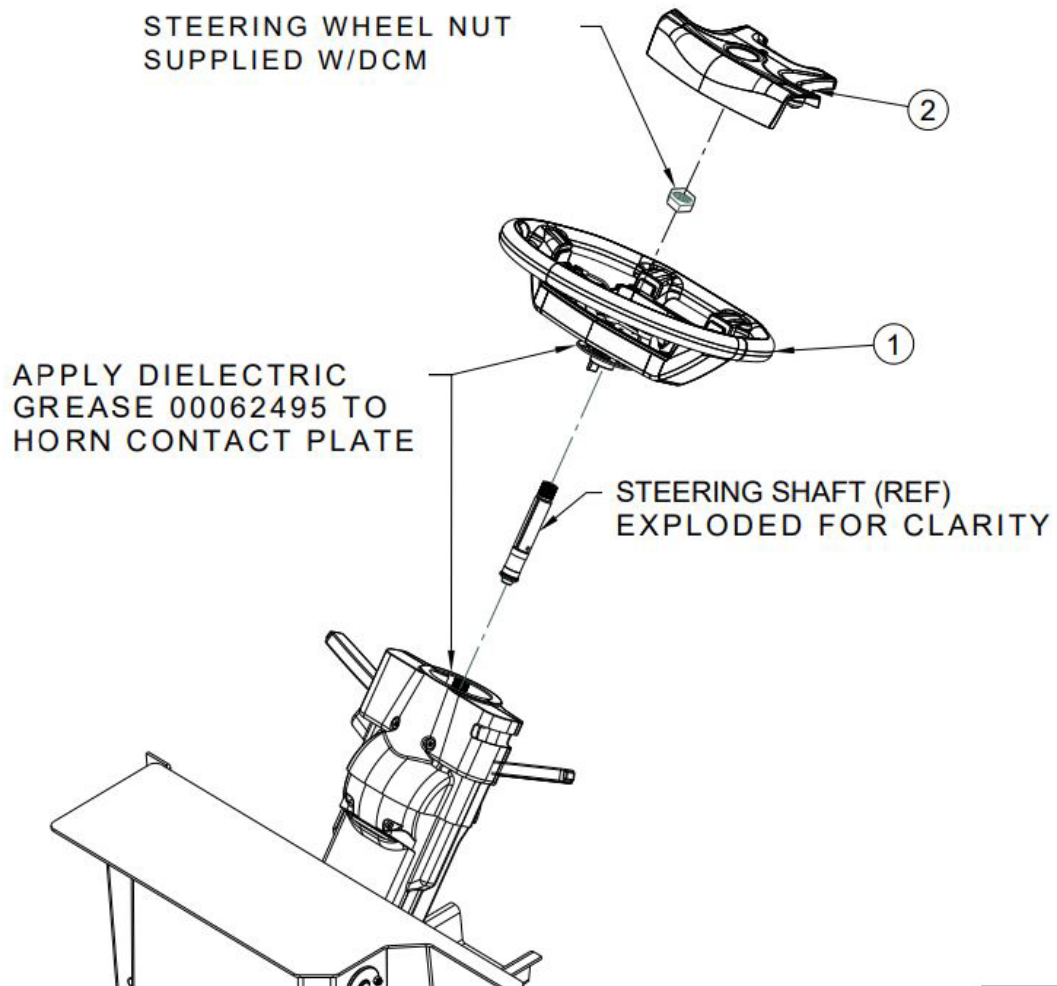


FIGURE #1

ALL of our Service Updates can be found on the [New York Bus Sales website](#)  
Or at the [New York Head Mechanic website](#)





FIGURE #2



FIGURE #3

ALL of our Service Updates can be found on the [New York Bus Sales website](#)  
Or at the [New York Head Mechanic website](#)





FIGURE #4

ALL of our Service Updates can be found on the [New York Bus Sales website](#)  
Or at the [New York Head Mechanic website](#)





FIGURE #5



FIGURE #6

ALL of our Service Updates can be found on the [New York Bus Sales website](#)  
Or at the [New York Head Mechanic website](#)





## CONTACT ANY OF OUR SERVICE LOCATIONS WITH QUESTIONS

**Director of Service  
Brad Dettman**

[bdettman@newyorkbussales.com](mailto:bdettman@newyorkbussales.com)

**Chittenango: 800-962-5768**

Bob Reith

[breith@newyorkbussales.com](mailto:breith@newyorkbussales.com)

Phil Tucker

[ptucker@newyorkbussales.com](mailto:ptucker@newyorkbussales.com)

**Albany: 866-867-1100**

Sean Smith

[ssmith@newyorkbussales.com](mailto:ssmith@newyorkbussales.com)

Customer Support

Ben Reiling

[breiling@newyorkbussales.com](mailto:breiling@newyorkbussales.com)

**Batavia: 800-463-3232**

Matt Dargusch

[mdargusch@newyorkbussales.com](mailto:mdargusch@newyorkbussales.com)

ALL of our Service Updates can be found on the [New York Bus Sales website](#)  
Or at the [New York Head Mechanic website](#)



©2015 New York Bus Sales. All rights reserved.

**Comments or Concerns:**

John Johnston

[jjohnston@newyorkbussales.com](mailto:jjohnston@newyorkbussales.com)

Cell 315-263-0766